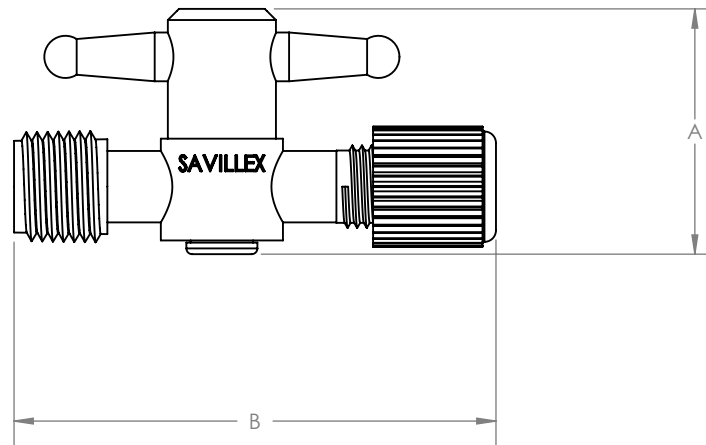


STANDARD DIMENSIONS

PART NUMBER	*PSI RATING 150°F / 66°C	A IN (MM)	B IN (MM)
750-PVT4-2-2	50 PSI	1.28" (32.5)	2.51" (63.8)
750-PVT4-4-4	50 PSI	1.28" (32.5)	2.51" (63.8)
750-PVT4-T4-4	50 PSI	1.28" (32.5)	2.86" (72.6)

***NOTE: CONSULT SAVILLEX FOR ELEVATED TEMPERATURE RATINGS**




 10321 West 70th St.
 Eden Prairie, MN
 55344-3446 USA
 (952)935-4100
Leading the Way in Advanced Labware

TITLE:

STOPCOCK DIMENSIONS