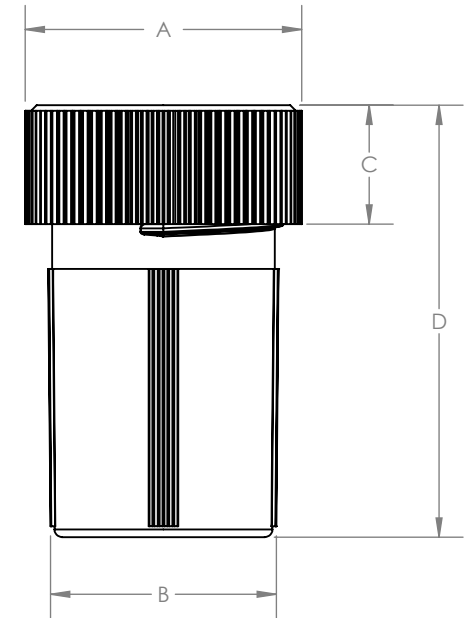


STANDARD DIMENSIONS

PART NUMBER	Interior Design	*PSI RATING 73°F/23°C	VOLUME	A INCHES (MM)	B INCHES (MM)	C INCHES (MM)	D INCHES (MM)
200-003-12	FLAT	60 PSI	3 mL	0.96" (24.4)	0.68" (17.3)	0.40" (10.2)	1.04" (26.4)
200-003-20	ROUND	60 PSI	3 mL	0.96" (24.4)	0.68" (17.3)	0.40" (10.2)	1.04" (26.4)
200-003-30	CONICAL	60 PSI	3 mL	0.96" (24.4)	0.68" (17.3)	0.40" (10.2)	1.04" (26.4)
200-005-12	FLAT	25 PSI	5 mL	1.08" (27.4)	0.87" (22.1)	0.54" (13.7)	1.31" (33.3)
200-005-20	ROUND	25 PSI	5 mL	1.08" (27.4)	0.87" (22.1)	0.54" (13.7)	1.31" (33.3)
200-005-30	CONICAL	25 PSI	5 mL	1.08" (27.4)	0.87" (22.1)	0.54" (13.7)	1.31" (33.3)
200-005-32	CONICAL	25 PSI	5 mL	1.08" (27.4)	0.84" (21.7)	0.54" (13.7)	1.42" (36.1)
200-006-20	ROUND	60 PSI	6 mL	0.94" (23.9)	0.70" (17.8)	0.40" (10.2)	1.83" (46.5)
200-007-10	FLAT	25 PSI	7 mL	1.08" (27.4)	0.87" (22.1)	0.54" (13.7)	1.46" (37.1)
200-007-20	ROUND	25 PSI	7 mL	1.08" (27.4)	0.87" (22.1)	0.54" (13.7)	1.46" (37.1)
200-007-30	CONICAL	25 PSI	7 mL	1.08" (27.4)	0.87" (22.1)	0.54" (13.7)	1.46" (37.1)
200-015-12	FLAT	10 PSI	15 mL	1.44" (36.6)	1.20" (30.5)	0.62" (15.7)	1.62" (41.1)
200-015-20	ROUND	10 PSI	15 mL	1.44" (36.6)	1.20" (30.5)	0.62" (15.7)	1.63" (41.4)
200-015-30	CONICAL	10 PSI	15 mL	1.44" (36.6)	1.20" (30.5)	0.62" (15.7)	1.63" (41.4)
200-022-12	FLAT	10 PSI	22 mL	1.44" (36.6)	1.20" (30.5)	0.62" (15.7)	2.19" (55.6)
200-022-20	ROUND	10 PSI	22 mL	1.44" (36.3)	1.20" (30.5)	0.62" (15.7)	2.21" (56.1)
200-022-30	CONICAL	10 PSI	22 mL	1.44" (36.3)	1.20" (30.5)	0.62" (15.7)	2.19" (55.6)
200-030-12	FLAT	10 PSI	30 mL	1.44" (36.3)	1.20" (30.5)	0.62" (15.7)	2.75" (69.9)
200-030-20	ROUND	10 PSI	30 mL	1.44" (36.6)	1.20" (30.5)	0.62" (15.7)	2.76" (70.1)
200-030-30	CONICAL	10 PSI	30 mL	1.44" (36.6)	1.20" (30.5)	0.62" (15.7)	3.11" (79.0)
200-060-12	FLAT	10 PSI	60 mL	1.44" (36.6)	1.21" (30.7)	0.62" (15.7)	5.27" (133.9)
200-060-20	ROUND	10 PSI	60 mL	1.44" (36.3)	1.21" (30.7)	0.62" (15.7)	5.20" (132.1)
200-060-30	CONICAL	10 PSI	60 mL	1.44" (36.3)	1.21" (30.7)	0.62" (15.7)	5.20" (132.1)

***NOTE: CONSULT SAVILLEX FOR ELEVATED TEMPERATURE RATINGS**

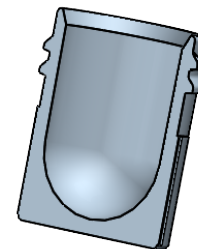
***NOTE: VIAL IS SHOWN WITH SAVILLEX CLOSURE FOR REFERENCE**



FLAT INTERIOR



CONICAL INTERIOR



ROUNDED INTERIOR



TITLE: **STANDARD VIAL DIMENSIONS**