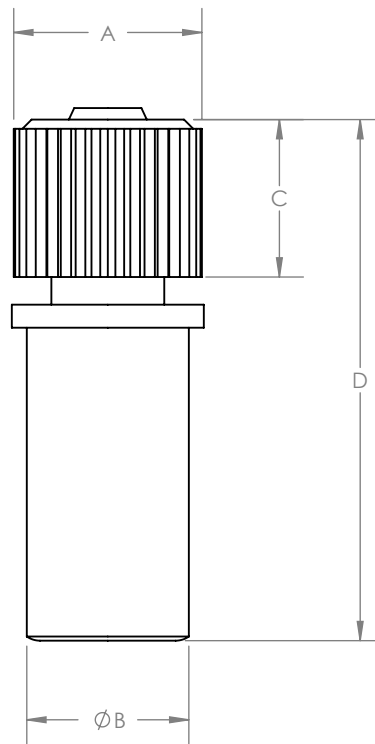


**STANDARD DIMENSIONS**

| <b>PART NUMBER</b> | <b>VOLUME</b> | <b>A<br/>INCHES (MM)</b> | <b>B<br/>INCHES (MM)</b> | <b>C<br/>INCHES (MM)</b> | <b>D<br/>INCHES (MM)</b> |
|--------------------|---------------|--------------------------|--------------------------|--------------------------|--------------------------|
| 200-702-42         | 0.2 mL        | 0.49" (12.4)             | 0.42" (10.7)             | 0.41" (10.4)             | 1.36" (34.5)             |
| 200-705-42         | 0.5 mL        | 0.49" (12.4)             | 0.42" (10.7)             | 0.41" (10.4)             | 1.36" (34.5)             |

**\*NOTE: FORENSIC VIALS ARE SHOWN WITH SAVILLEX CLOSURES FOR REFERENCE**



TITLE: **FORENSIC VIAL,  
 DIMENSIONS**