

STANDARD DIMENSIONS

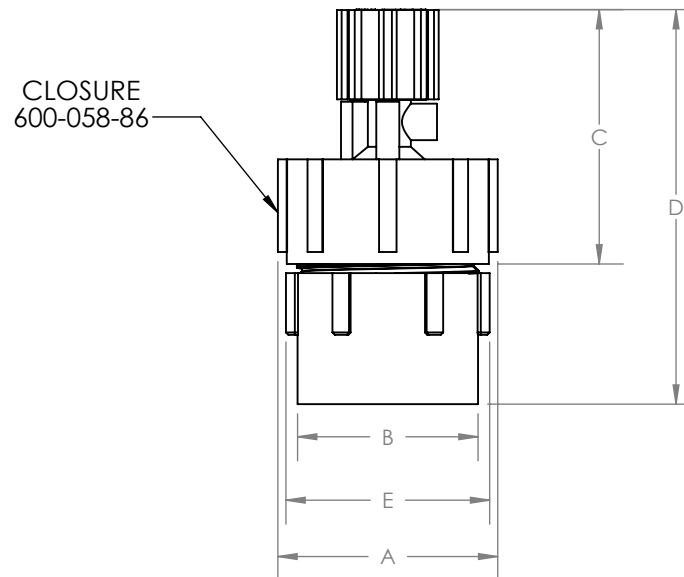
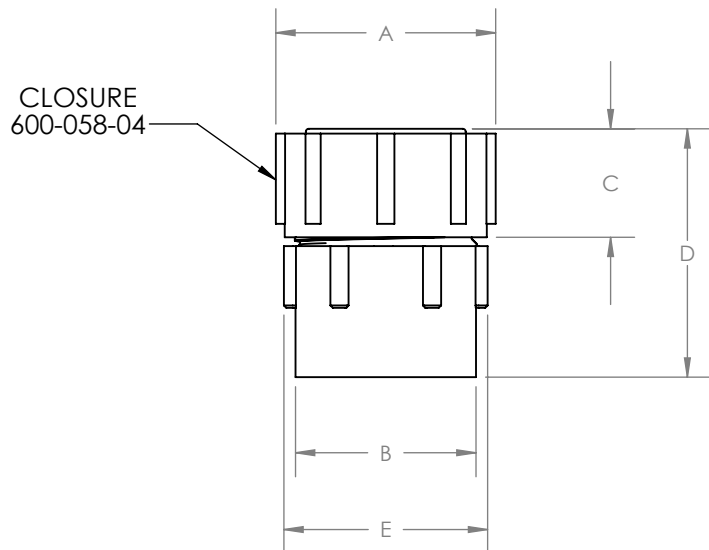
| | PART NUMBER | *PSI RATING 100°F/38°C | VOLUME | A INCHES (MM) | B INCHES (MM) | C INCHES (MM) | D INCHES (MM) | E INCHES (MM) |
|-----------------|-------------|---------------------------|--------|------------------|------------------|------------------|------------------|------------------|
| FIGURE 1 | 300-060-01 | 75 PSI | 60 ml | 2.29" (58.2) | 1.88" (47.8) | 1.13" (28.7) | 2.59" (65.8) | 2.12" (53.9) |
| | 300-060-03 | 75 PSI | 60 ml | 2.29" (58.2) | 1.88" (47.8) | 1.13" (28.7) | 2.45" (62.2) | 2.12" (53.9) |
| | 300-060-04 | 75 PSI | 60 mL | 2.29" (58.2) | 1.88" (47.8) | 1.13" (28.7) | 2.72" (69.1) | 2.12" (53.9) |
| | 300-120-01 | 75 PSI | 120 ml | 2.29" (58.2) | 1.88" (47.8) | 1.13" (28.7) | 4.84" (122.9) | 2.11" (53.6) |
| | 300-120-03 | 75 PSI | 120 mL | 2.29" (58.2) | 1.88" (47.8) | 1.13" (28.7) | 4.91" (124.7) | 2.11" (53.6) |
| | 300-120-04 | 75 PSI | 120 ml | 2.29" (58.2) | 1.88" (47.8) | 1.13" (28.7) | 4.70" (119.4) | 2.11" (53.6) |
| | 300-120-16 | 75 PSI | 120 ml | 2.29" (58.2) | 1.88" (47.8) | 1.13" (28.7) | 4.88" (124.0) | 2.11" (53.6) |
| | 300-120-20 | 75 PSI | 120 ml | 2.29" (58.2) | 1.88" (47.8) | 1.13" (28.7) | 4.88" (124.0) | 2.11" (53.6) |
| | 300-120-22 | 75 PSI | 120 ml | 2.29" (58.2) | 1.88" (47.8) | 1.13" (28.7) | 4.88" (124.0) | 2.11" (53.6) |
| FIGURE 2 | 300-060-01 | 100 PSI | 60 ml | 2.29" (58.2) | 1.88" (47.8) | 2.63" (66.8) | 4.09" (103.9) | 2.12" (53.9) |
| | 300-060-04 | 100 PSI | 60mL | 2.29" (58.2) | 1.88" (47.8) | 2.63" (66.8) | 4.05" (102.9) | 2.12" (53.9) |
| | 300-120-01 | 100 PSI | 120 ml | 2.29" (58.2) | 1.88" (47.8) | 2.54" (64.5) | 6.36" (161.5) | 2.11" (53.6) |
| | 300-120-04 | 100 PSI | 120 ml | 2.34" (59.4) | 1.88" (47.8) | 2.63" (66.8) | 6.32" (160.53) | 2.10" (53.3) |

***NOTE: FOR EVERY 2°F/1°C INCREASE ABOVE 100°F/38°C, REDUCE PRESSURE RATING BY 1 PSI**

***NOTE: DIGESTION VESSELS ARE SHOWN WITH SAVILLEX CLOSURES FOR REFERENCE**

FIGURE 1

FIGURE 2



TITLE: **DIGESTION VESSEL DIMENSIONS**