

STANDARD DIMENSIONS

	PART NUMBER	VOLUME	A INCHES (MM)	B INCHES (MM)	C INCHES (MM)	D INCHES (MM)	E INCHES (MM)
FIGURE 1	531-100-05	100 ml	0.99" (25.1)	2.95" (74.9)	1.98" (50.3)	-	-
	531-150-05	150 ml	0.97" (24.6)	4.81" (122.2)	2.10" (53.3)	1.86" (47.2)	-
	531-150-40	150 ml	0.97" (24.6)	4.81" (122.2)	2.10" (53.3)	1.86" (47.2)	-
	531-375-05	375 ml	1.00" (25.4)	11.63" (295.4)	1.98" (50.3)	1.94" (29.3)	-
FIGURE 2	531-150-11	150 ml	0.97" (24.6)	4.81" (122.2)	-	1.86" (47.2)	1.38" (35.1)
	531-150-15	150 ml	0.97" (24.6)	4.81" (122.2)	-	1.86" (47.2)	1.38" (35.1)
	531-150-17	150 ml	0.97" (24.6)	4.81" (122.2)	-	1.86" (47.2)	1.38" (35.1)
	531-150-31	150 ml	0.97" (24.6)	4.81" (122.2)	-	1.86" (47.2)	1.38" (35.1)
	531-150-33	150 ml	0.97" (24.6)	4.81" (122.2)	-	1.86" (47.2)	1.38" (35.1)
	531-150-41	150 ml	0.97" (24.6)	4.81" (122.2)	-	1.86" (47.2)	1.37" (34.8)
	531-150-42	150 ml	0.97" (24.6)	4.81" (122.2)	-	1.86" (47.2)	1.37" (34.8)
531-150-43	150 ml	0.97" (24.6)	4.81" (122.2)	-	1.86" (47.2)	1.37" (34.8)	
FIGURE 3	730-0502	-	-	1.96" (49.8)	2.29" (58.2)	2.10" (53.3)	-

FIGURE 1

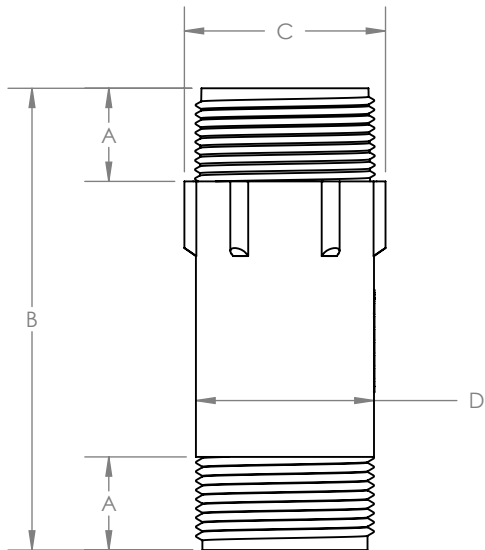


FIGURE 2

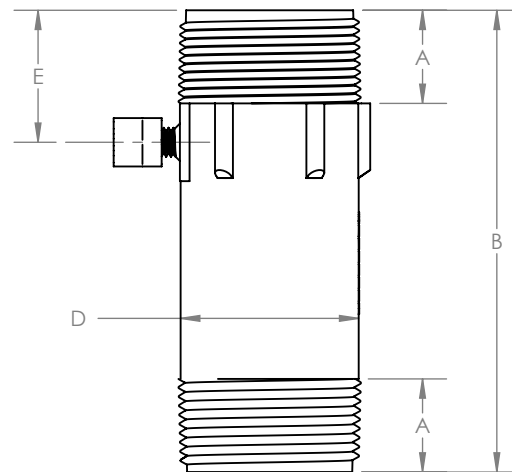


FIGURE 3

