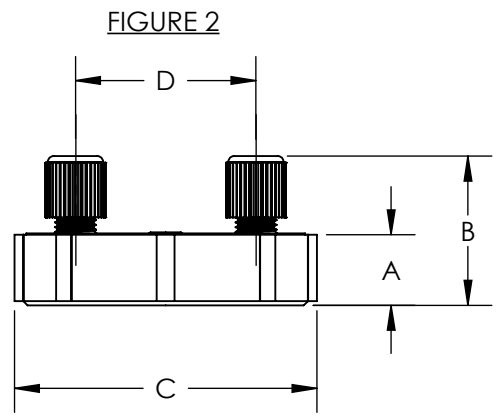
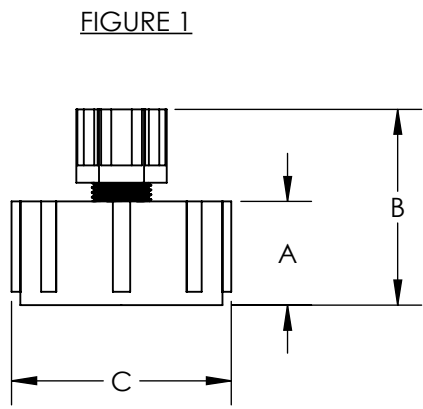


	STANDARD DIMENSIONS					
	PART NUMBER	PSI RATING 73°F/23°C	A INCHES (MM)	B INCHES (MM)	C INCHES (MM)	D INCHES (MM)
FIGURE 1	600-058-16	75 PSI ³	1.08" (27.4)	1.82" (46.2)	2.29" (58.2)	-
	600-058-17	75 PSI ³	1.08" (27.4)	1.54" (39.1)	2.29" (58.2)	-
	600-058-19	75 PSI ³	1.08" (27.4)	2.04" (51.8)	2.29" (58.2)	-
FIGURE 2	600-053-20	10 PSI	0.75" (19.1)	1.39" (35.3)	2.46" (62.5)	1.09" (27.7)
	600-053-28	10 PSI	0.75" (19.1)	1.53" (38.9)	2.46" (62.5)	1.10" (27.9)
	600-058-22	75 PSI ³	1.13" (28.7)	1.73" (43.9)	2.29" (58.2)	1.19" (30.2)
	600-058-24	75 PSI ³	1.11" (28.2)	1.71" (43.4)	2.29" (58.2)	1.20" (30.5)
	600-058-31	75 PSI ³	1.13" (28.7)	1.86" (47.2)	2.29" (58.2)	1.19" (30.2)
	600-058-33	75 PSI ³	1.08" (27.4)	1.83" (46.5)	2.29" (58.2)	1.18" (30.0)
	600-058-42	75 PSI ³	1.08" (27.4)	1.92" (48.8)	2.29" (58.2)	1.10" (27.9)
	600-070-20	3 PSI	0.75" (19.1)	1.32" (33.5)	3.19" (81.0)	1.91" (48.5)
	600-070-28	3 PSI	0.75" (19.1)	1.56" (39.6)	3.15" (80.0)	1.88" (47.8)
	600-089-20	3 PSI	0.90" (22.9)	1.61" (40.9)	3.95" (100.3)	2.26" (57.4)
	600-089-28	3 PSI	0.90" (22.9)	1.68" (42.7)	3.93" (99.8)	2.29" (58.2)
	600-110-20	3 PSI	1.17" (29.7)	1.83" (46.5)	4.83" (122.7)	2.88" (73.2)
	600-110-28	3 PSI	1.14" (29.0)	1.87" (47.5)	4.83" (122.7)	2.88" (73.2)

CAUTION: FOR PRESSURE APPLICATIONS, GROOVE TUBING TO SECURE CONNECTION AND PREVENT TUBING BLOW OUT

NOTES:
 1. CONSULT SAVILLEX FOR ELEVATED TEMPERATURE RATINGS
 2. PSI RATINGS ARE BASED ON ABOVE CLOSURES WITH MATING SAVILLEX VESSELS
 3. PSI RATING @ 100°F/38°C



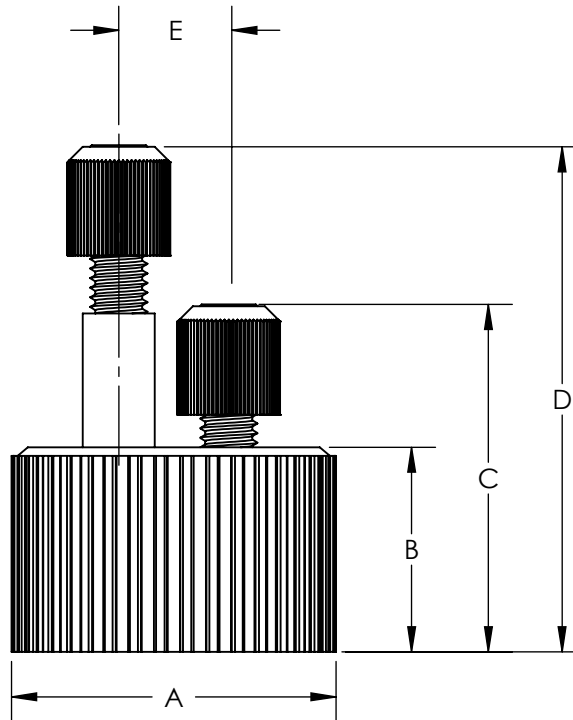

10321 West 70th St.
 Eden Prairie, MN
 55344-3446 USA
 (952)935-4100

TITLE:
**CLOSURES w/ PORTS
 DIMENSIONS**

STANDARD DIMENSIONS

CAUTION: FOR PRESSURE APPLICATIONS, GROOVE TUBING TO SECURE CONNECTION AND PREVENT TUBING BLOW OUT

PART NUMBER	A INCHES (MM)	B INCHES (MM)	C INCHES (MM)	D INCHES (MM)	E INCHES (MM)
600-033-27	1.47" (37.5)	.85" (21.5)	1.59" (40.3)	2.40" (60.9)	0.57" (14.5)
600-033-37	1.47" (37.5)	.85" (21.5)	1.55" (39.4)	2.39" (60.6)	0.57" (14.5)



SavilleX 10321 West 70th St.
Eden Prairie, MN
55344-3446 USA
(952)935-4100

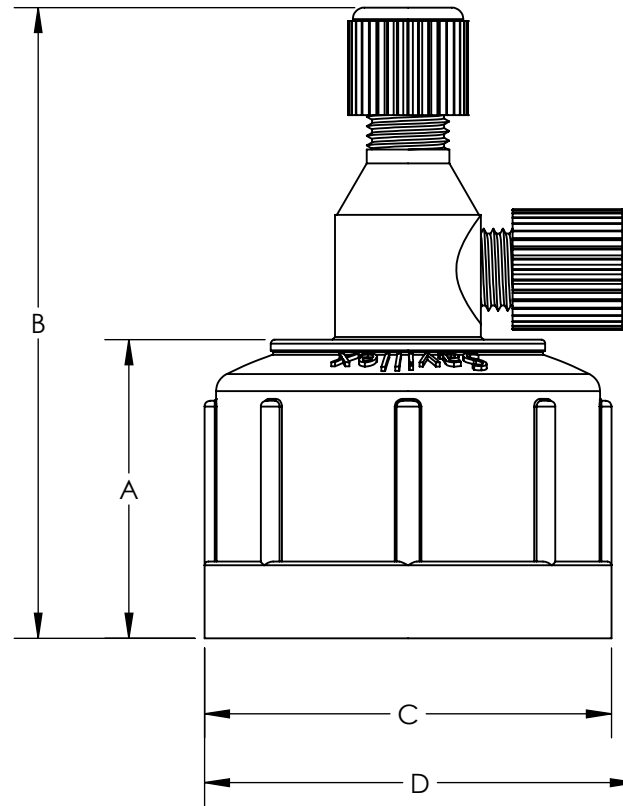
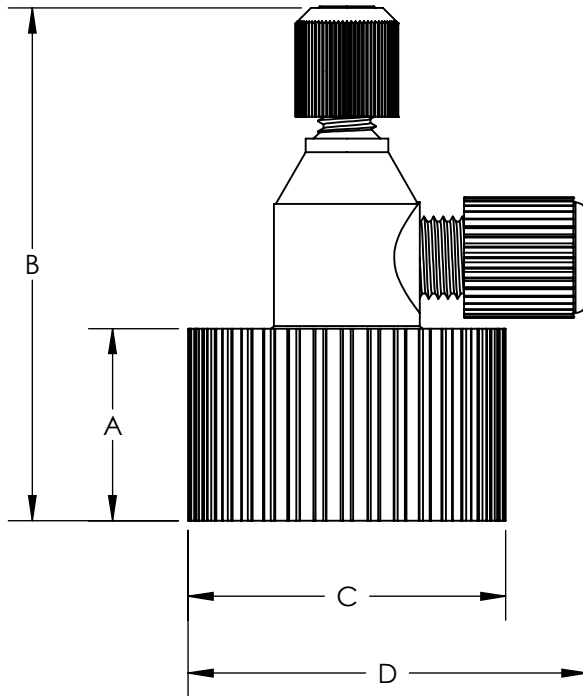
TITLE:
**CLOSURE w/ PORTS
DIMENSIONS**

		STANDARD DIMENSIONS			
	PART NUMBER	A INCHES (MM)	B INCHES (MM)	C INCHES (MM)	D INCHES (MM)
FIGURE 1	600-033-26	0.59" (15)	2.28" (57.8)	1.44" (36.6)	1.80" (45.7)
	600-033-36	0.59" (15)	2.41" (61.2)	1.44" (36.6)	1.89" (48.1)
FIGURE 2	600-045-26	1.56" (39.5)	3.28" (83.3)	2.12" (53.8)	2.19" (55.5)
	600-045-36	1.56" (39.5)	3.39" (86.1)	2.12" (53.8)	2.27" (57.5)
	600-045-46	1.56" (39.5)	3.29" (83.4)	2.12" (53.8)	2.25" (57.0)

CAUTION: FOR PRESSURE APPLICATIONS, GROOVE TUBING TO SECURE CONNECTION AND PREVENT TUBING BLOW OUT

FIGURE 2

FIGURE 1



SavilleX 10321 West 70th St.
Eden Prairie, MN
55344-3446 USA
(952)935-4100

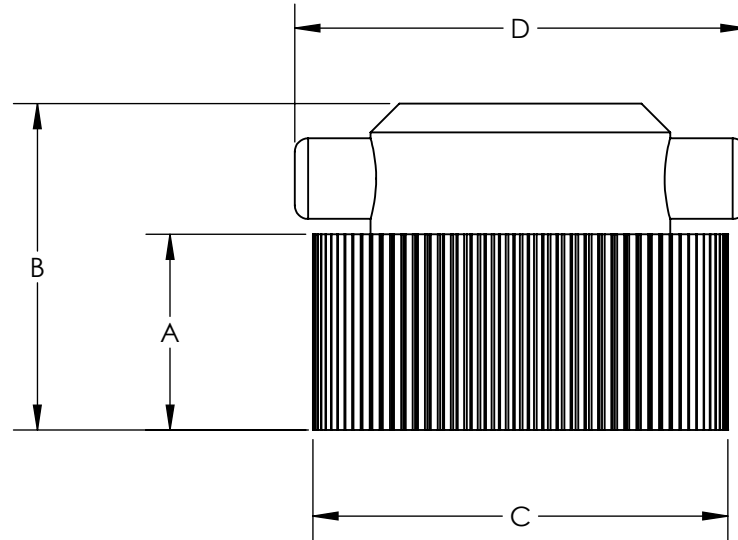
TITLE:
CLOSURE w/ PORTS
DIMENSIONS

STANDARD DIMENSIONS

PART NUMBER	PSI RATING 73°F/23°C	A INCHES (MM)	B INCHES (MM)	C INCHES (MM)	D INCHES (MM)
600-024-23	NOT RATED	0.51" (13.0)	0.85" (21.6)	1.08" (27.4)	1.18" (30.0)
600-033-23	10 PSI	0.62" (15.7)	1.08" (27.4)	1.44" (36.6)	1.74" (44.2)

CAUTION: FOR PRESSURE APPLICATIONS, GROOVE TUBING TO SECURE CONNECTION AND PREVENT TUBING BLOW OUT

- NOTES:**
 1. CONSULT SAVILLEX FOR ELEVATED TEMPERATURE RATINGS
 2. PSI RATINGS ARE BASED ON ABOVE CLOSURES WITH MATING SAVILLEX VESSELS
 3. PSI RATING @ 100°F/38°C

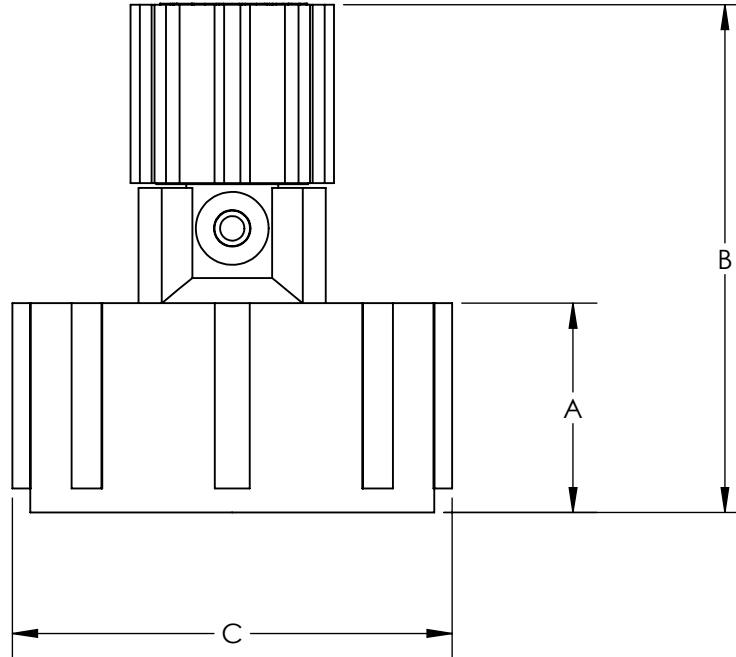


TITLE:
**CLOSURE w/ PORTS
 DIMENSIONS**

STANDARD DIMENSIONS

PART NUMBER	PSI RATING 73°F/23°C	A INCHES (MM)	B INCHES (MM)	C INCHES (MM)
600-058-86	75 PSI ³	1.09" (27.7)	2.63" (66.8)	2.29" (58.2)
600-058-87	75 PSI ³	1.26" (32.8)	2.56" (65.0)	2.34" (59.4)

- NOTES:**
1. CONSULT SAVILLEX FOR ELEVATED TEMPERATURE RATINGS
 2. PSI RATINGS ARE BASED ON ABOVE CLOSURES WITH MATING SAVILLEX VESSELS
 3. PSI RATING @ 100°F/38°C



TITLE: CLOSURE w/ PORTS
 DIMENSIONS