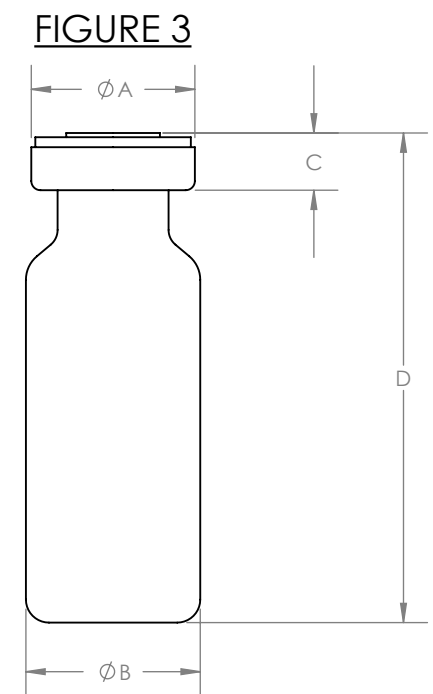
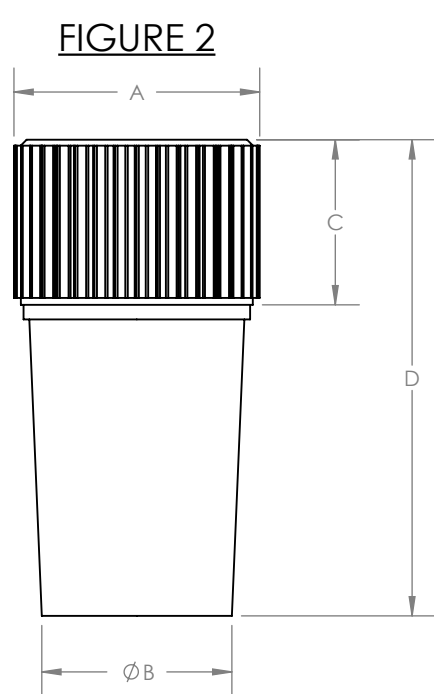
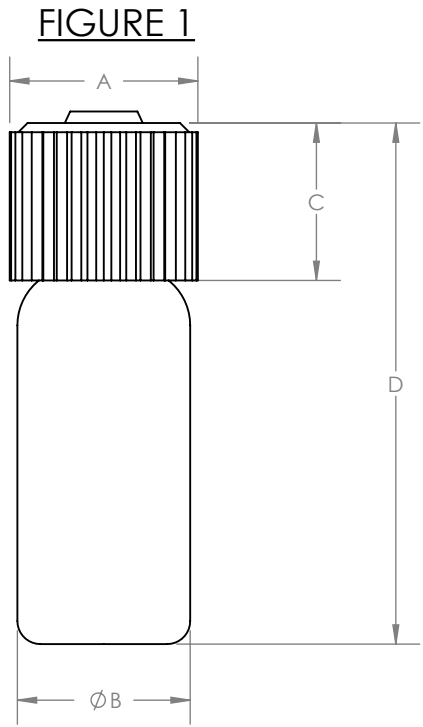


**STANDARD DIMENSIONS**

	<b>PART NUMBER</b>	<b>VOLUME</b>	<b>A INCHES (MM)</b>	<b>B INCHES (MM)</b>	<b>C INCHES (MM)</b>	<b>D INCHES (MM)</b>
<b>FIGURE 1</b>	200-902-40	0.2 ml	0.49" (12.4)	0.45" (11.4)	0.41" (10.4)	1.36" (34.5)
	200-905-42	0.5 ml	0.49" (12.4)	0.45" (11.4)	0.41" (10.4)	1.35" (34.3)
	200-913-44	1.3 ml	0.53" (13.5)	0.48" (12.2)	0.60" (15.2)	1.55" (39.4)
	200-004-13	4 ml	0.73" (18.5)	0.59" (15.0)	0.24" (6.1)	2.06" (52.3)
	200-013-14	13 ml	1.08" (27.4)	0.87" (22.1)	0.54" (13.7)	2.21" (56.1)
<b>FIGURE 2</b>	200-915-44	1.5 ml	0.64" (16.3)	0.50" (12.7)	0.43" (10.9)	1.24" (31.5)
	200-002-44	2 ml	0.64" (16.3)	0.48" (12.2)	0.43" (10.9)	1.72" (43.7)
	200-004-44	4 ml	0.64" (16.3)	0.56" (14.2)	0.43" (10.9)	2.37" (60.2)
<b>FIGURE 3</b>	200-902-41	.2 ml	0.43" (10.8)	0.45" (11.5)	0.15" (3.8)	1.28" (32.4)
	200-905-43	.5 ml	0.43" (10.8)	0.45" (11.5)	0.15" (3.8)	1.28" (32.4)

**\*NOTE: AUTOSAMPLER VIALS ARE SHOWN WITH SAVILLEX CLOSURES FOR REFERENCE**



**STANDARD DIMENSIONS**

<b>PART NUMBER</b>	<b>VOLUME</b>	<b>A INCHES (MM)</b>	<b>B INCHES (MM)</b>	<b>C INCHES (MM)</b>	<b>D INCHES (MM)</b>
200-010-13	10 mL	0.60" (15.2)	0.58" (14.7)	0.09" (2.3)	3.99" (101.3)
200-020-13	20 mL	1.07" (27.2)	1.05" (26.7)	0.08" (2.0)	2.35" (59.7)
200-030-13	30 mL	1.06" (26.9)	1.05" (26.7)	0.08" (2.0)	3.99" (101.3)

