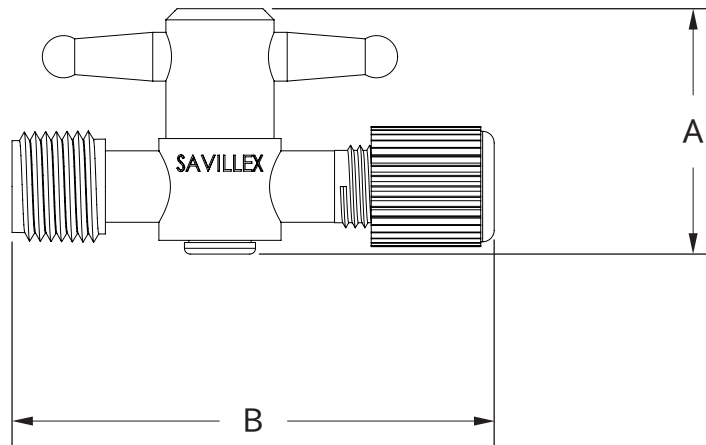


**STANDARD DIMENSIONS**

<b>PART NUMBER</b>	<b>*PSI RATING 150°F / 66°C</b>	<b>A INCHES (MM)</b>	<b>B INCHES (MM)</b>
750-PVT4-2-2	50 PSI	1.28" (32.5)	2.51" (63.8)
750-PVT4-4-4	50 PSI	1.28" (32.5)	2.51" (63.8)
750-PVT4-T4-4	50 PSI	1.28" (32.5)	2.86" (72.6)

**\*\*NOTE: CONSULT SAVILLEX FOR ELEVATED TEMPERATURE RATINGS**



TITLE:  
**STOPCOCK DIMENSIONS**