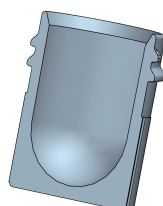
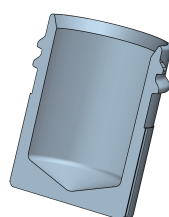
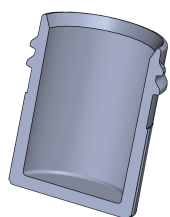
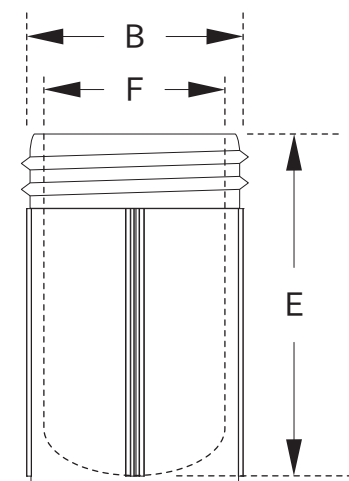
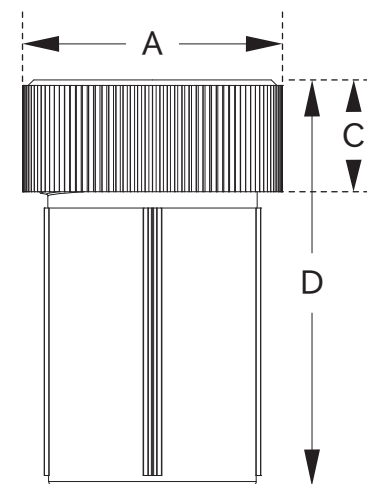


STANDARD DIMENSIONS

PART NUMBER	*PSI RATING 73°F/23°C	VOLUME	A INCHES (MM)	B INCHES (MM)	C INCHES (MM)	D INCHES (MM)	E INCHES (MM)	F INCHES (MM)
200-003-12	60 PSI	3 mL	0.96" (24.4)	0.68" (17.3)	0.40" (10.2)	1.04" (26.4)	0.84" (21.4)	0.52" (13.2)
200-003-20	60 PSI	3 mL	0.96" (24.4)	0.68" (17.3)	0.40" (10.2)	1.04" (26.4)	0.84" (21.4)	0.52" (13.2)
200-003-30	60 PSI	5 mL	0.96" (24.4)	0.68" (17.3)	0.40" (10.2)	1.04" (26.4)	0.84" (21.4)	0.52" (13.2)
200-005-12	25 PSI	5 mL	1.08" (27.4)	0.87" (22.1)	0.54" (13.7)	1.31" (33.3)	1.05" (26.6)	0.72" (18.2)
200-005-20	25 PSI	5 mL	1.08" (27.4)	0.87" (22.1)	0.54" (13.7)	1.31" (33.3)	1.05" (26.6)	0.72" (18.2)
200-005-30	25 PSI	5 mL	1.08" (27.4)	0.87" (22.1)	0.54" (13.7)	1.31" (33.3)	1.05" (26.6)	0.72" (18.2)
200-005-32	25 PSI	6 mL	1.08" (27.4)	0.84" (21.7)	0.54" (13.7)	1.42" (36.1)	1.18" (30.0)	0.72" (18.2)
200-006-20	60 PSI	7 mL	0.94" (23.9)	0.70" (17.8)	0.40" (10.2)	1.83" (46.5)	1.63" (41.3)	0.55" (14.0)
200-007-10	25 PSI	7 mL	1.08" (27.4)	0.87" (22.1)	0.54" (13.7)	1.46" (37.1)	1.23" (31.3)	0.72" (18.4)
200-007-20	25 PSI	7 mL	1.08" (27.4)	0.87" (22.1)	0.54" (13.7)	1.46" (37.1)	1.23" (31.3)	0.72" (18.4)
200-007-30	25 PSI	7 mL	1.08" (27.4)	0.87" (22.1)	0.54" (13.7)	1.46" (37.1)	1.23" (31.3)	0.72" (18.4)
200-015-12	10 PSI	15 mL	1.44" (36.6)	1.20" (30.5)	0.62" (15.7)	1.62" (41.1)	1.35" (34.3)	1.00" (25.5)
200-015-20	10 PSI	15 mL	1.44" (36.6)	1.20" (30.5)	0.62" (15.7)	1.63" (41.4)	1.35" (34.3)	1.00" (25.5)
200-015-30	10 PSI	15 mL	1.44" (36.6)	1.20" (30.5)	0.62" (15.7)	1.63" (41.4)	1.35" (34.3)	1.00" (25.5)
200-022-12	10 PSI	22 mL	1.44" (36.6)	1.20" (30.5)	0.62" (15.7)	2.19" (55.6)	1.92" (48.7)	1.00" (25.5)
200-022-20	10 PSI	22 mL	1.44" (36.6)	1.20" (30.5)	0.62" (15.7)	2.21" (56.1)	1.92" (48.7)	1.00" (25.5)
200-022-30	10 PSI	22 mL	1.44" (36.6)	1.20" (30.5)	0.62" (15.7)	2.19" (55.6)	1.92" (48.7)	1.00" (25.5)
200-030-12	10 PSI	30 mL	1.44" (36.6)	1.20" (30.5)	0.62" (15.7)	2.75" (69.9)	2.50" (63.4)	1.00" (25.5)
200-030-20	10 PSI	30 mL	1.44" (36.6)	1.20" (30.5)	0.62" (15.7)	2.76" (70.1)	2.50" (63.4)	1.00" (25.5)
200-030-30	10 PSI	30 mL	1.44" (36.6)	1.20" (30.5)	0.62" (15.7)	3.11" (79.0)	2.91" (73.8)	1.00" (25.5)
200-060-12	10 PSI	60 mL	1.44" (36.6)	1.21" (30.7)	0.62" (15.7)	5.27" (133.9)	5.07" (128.9)	1.00" (25.5)
200-060-20	10 PSI	60 mL	1.44" (36.6)	1.21" (30.7)	0.62" (15.7)	5.20" (132.1)	5.07" (128.9)	1.00" (25.5)
200-060-30	10 PSI	60 mL	1.44" (36.6)	1.21" (30.7)	0.62" (15.7)	5.20" (132.1)	5.07" (128.9)	1.00" (25.5)

***NOTE: CONSULT SAVILLEX FOR ELEVATED TEMPERATURE RATINGS**

***NOTE: VIAL IS SHOWN WITH SAVILLEX CLOSURE FOR REFERENCE**



FLAT INTERIOR CONICAL INTERIOR ROUNDED INTERIOR