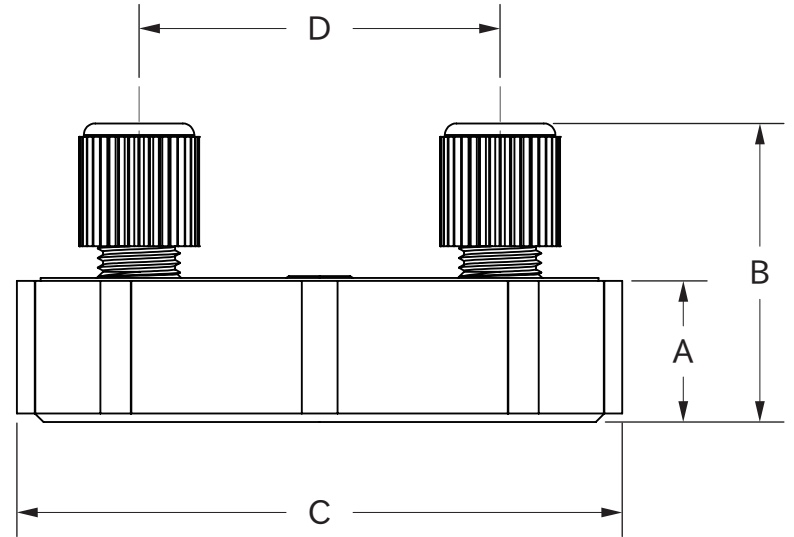


STANDARD DIMENSIONS

PART NUMBER	*PSIRATING 100°F / 38°C	A INCHES (MM)	B INCHES (MM)	C INCHES (MM)	D INCHES (MM)
600-024-23	NOT RATED	0.51" (13.0)	0.85" (21.6)	1.08" (27.4)	-
600-033-23	10 PSI	0.62" (15.7)	1.08" (27.4)	1.44" (36.6)	-
600-033-26	10 PSI	0.59" (15.0)	2.27" (57.7)	1.44" (36.6)	1.81" (46.0)
600-053-20	10 PSI	0.75" (19.1)	1.39" (35.3)	2.46" (62.5)	1.09" (27.7)
600-053-28	10 PSI	0.75" (19.1)	1.53" (38.9)	2.46" (62.5)	1.10" (27.9)
600-058-16	NOT RATED	1.08" (27.4)	1.82" (46.2)	2.29" (58.2)	-
600-058-17	NOT RATED	1.08" (27.4)	1.54" (39.1)	2.29" (58.2)	-
600-058-19	NOT RATED	1.08" (27.4)	2.04" (51.8)	2.29" (58.2)	-
600-058-22	NOT RATED	1.13" (28.7)	1.73" (43.9)	2.29" (58.2)	1.19" (30.2)
600-058-24	NOT RATED	1.11" (28.2)	1.71" (43.4)	2.29" (58.2)	1.20" (30.5)
600-058-31	NOT RATED	1.13" (28.7)	1.86" (47.2)	2.29" (58.2)	1.19" (30.2)
600-058-33	NOT RATED	1.08" (27.4)	1.83" (46.5)	2.29" (58.2)	1.18" (30.0)
600-058-42	NOT RATED	1.08" (27.4)	1.92" (48.8)	2.29" (58.2)	1.10" (27.9)
600-058-86	NOT RATED	1.09" (27.7)	2.63" (66.8)	2.29" (58.2)	-
600-058-87	NOT RATED	1.26" (32.8)	2.56" (65.0)	2.34" (59.4)	-
600-070-20	3 PSI	0.75" (19.1)	1.32" (33.5)	3.19" (81.0)	1.91" (48.5)
600-070-28	3 PSI	0.75" (19.1)	1.56" (39.6)	3.15" (80.0)	1.88" (47.8)
600-089-20	3 PSI	0.90" (22.9)	1.61" (40.9)	3.95" (100.3)	2.26" (57.4)
600-089-28	3 PSI	0.90" (22.9)	1.68" (42.7)	3.93" (99.8)	2.29" (58.2)
600-089-29	NOT RATED	0.63" (16.0)	1.43" (36.2)	3.74" (95.0)	2.30" (58.4)
600-095-34	NOT RATED	0.72" (18.3)	1.50" (38.1)	3.72" (94.5)	2.29" (58.2)
600-110-20	3 PSI	1.17" (29.7)	1.83" (46.5)	4.83" (122.7)	2.88" (73.2)
600-110-28	3 PSI	1.14" (29.0)	1.87" (47.5)	4.83" (122.7)	2.88" (73.2)

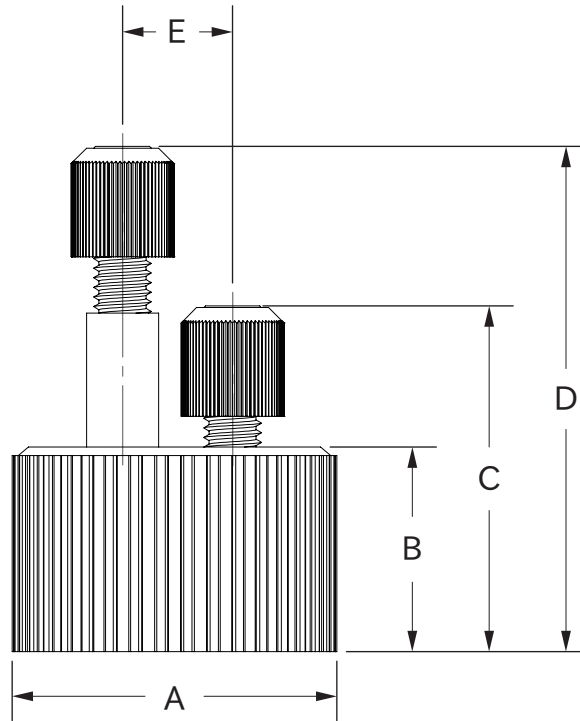
***NOTE: CONSULT SAVILLEX FOR ELEVATED TEMPERATURE RATINGS**



**TITLE:
STANDARD CLOSURES
w/ PORTS DIMENSIONS**

STANDARD DIMENSIONS

PART NUMBER	A INCHES (MM)	B INCHES (MM)	C INCHES (MM)	D INCHES (MM)	E INCHES (MM)
600-038-21	1.69" (42.9)	1.07" (27.2)	1.80" (45.7)	2.63" (66.8)	0.57" (14.5)
600-038-30	1.69" (42.9)	1.07" (27.2)	1.83" (46.5)	2.61" (66.3)	0.57" (14.5)



STANDARD DIMENSIONS

PART NUMBER	A INCHES (MM)	B INCHES (MM)	C INCHES (MM)	D INCHES (MM)
600-038-26	1.00" (25.4)	2.70" (68.0)	1.65" (41.9)	1.90" (48.3)
600-038-36	1.00" (25.4)	2.85" (72.4)	1.65" (41.9)	2.02" (51.3)
600-038-44	1.00" (25.4)	2.85" (72.4)	1.65" (41.9)	1.92" (48.8)
600-038-45	1.00" (25.4)	2.67" (67.8)	1.65" (41.9)	2.08" (52.8)
600-038-46	1.00" (25.4)	2.78" (70.6)	1.65" (41.9)	2.03" (51.6)

